

SL30RTE

Electric
Speed
Level



We want you to have the best experience possible with Dromad Hire that's why we offer a range of products and services to help you complete your tasks, safely, efficiently, and cost effectively.

This unique lithium battery machine is capable of delivering powerful performance on all terrains with zero emissions or noise. Designed to work on sloped or uneven ground, the SL30RTE can automatically self-level on gradients up to 50% with no need for stabilisers. Its powerful 4-wheel drive can be driven at full height and boosts a spacious platform size of (1.72m x 4.32m). With its all-electric lithium-powered source it has the capability to work both indoors and outdoors.



- Climbs Gradients Up To 50%
- Automatic Platform Self-Levelling
- Levelling Front To Back 9°
- Levelling Side To Side 13°

- Efficient Lithium Battery System
- Zero Noise Or Fumes
- Drivable At Full Height
- Light-Weight (3,450kg)

DIMENSIONS	SL26RTE	SL30RTE
Max. working height	10.0m	11.0m
Max. platform height (A)	8.0m	9.0m
Platform size (stowed)	1.72m x 3.66m	1.72m x 4.23m
Platform size (extended) (E)	1.72m x 4.6m	n/a
Extension deck length	0.91m	n/a
Overall width (D)	2.13m	2.13m
Overall length (C)	3.79m	4.3m
Stowed height (B)	2.6m	2.6m
Min. height (guardrails folded)	1.7m	1.7m
Chassis ground clearance	305mm	305mm
Axle ground clearance	195mm	195mm

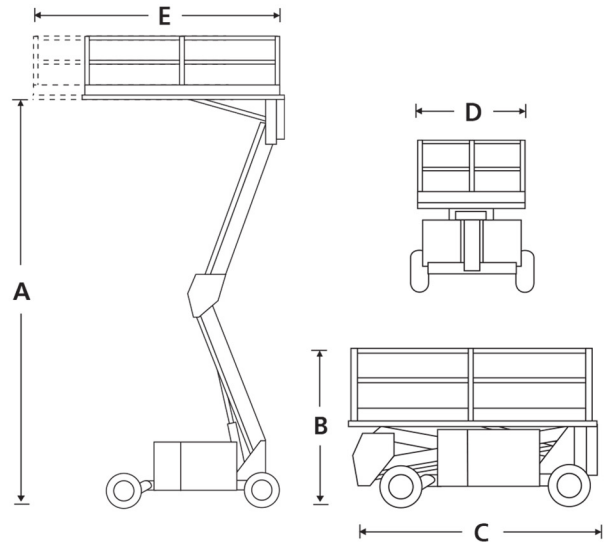
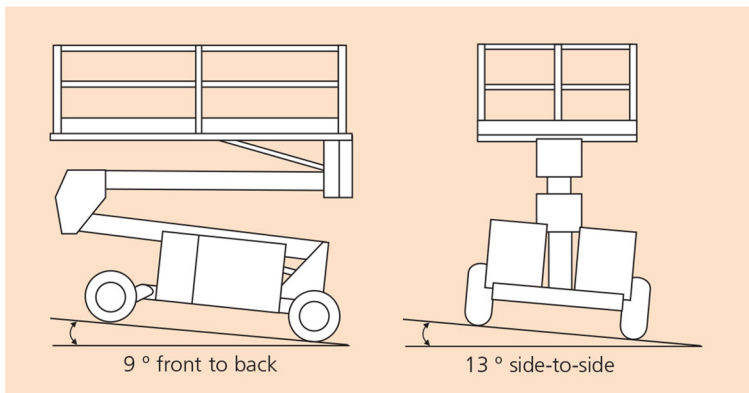
PERFORMANCE		
Platform capacity (SWL)	680kg	590kg
Max. wind speed	12.5m/s	12.5m/s
Max. drive height	8.0m	9.0m
Max. drive speed (stowed)	5.4 km/h	5.4 km/h
Max. drive speed (elevated)	0.8km/h	0.8km/h
Raise/lower time	21/32 sec	24/36 sec
Gradeability	50%	50%
Max. levelling, front to rear	9°	9°
Max. levelling, side to side	13°	13°
Inside turning radius	3.9m	3.9m
Outside turning radius	5.64m	5.64m
Tyres	26 x 12.00 - 12 foam filled	
Controls	digital proportional joystick	
Drive system	4-wheel drive with hydraulic motors and flow dividers	

POWER		
Power source	11.5kWh Li-ion batteries with integrated BMS	
Operating temperature	(-)25°C to (+)60°C	
Charger	high frequency smart on-board 50A battery charger	

MOTOR		
Motor	AC electric motor	

WEIGHT		
Weight	3,500kg	3,450kg

LEVELLING CAPABILITIES



STANDARD FEATURES

- Two lithium-ion battery systems 11.5kWh
- Automatic powered platform levelling
- Powerful 4-wheel drive
- Oscillating front axle
- High grip, open tread deck (SL30RTE only)
- Descent alarm
- High grip non-marking all terrain tyres
- Digital proportional controls
- Power line to platform
- Fold-down guardrails
- All motion alarm
- Hour meter & on-board diagnostics display
- Flashing amber light
- 2000 charging cycles / 2 year* lithium battery warranty



Contact us to today...



info@dromadhire.com



dromadhire.com



Dublin +353 1 908 1005
Dundalk +353 42 933 9500