

EP Bronze Range

Self-priming Transfer Pumps

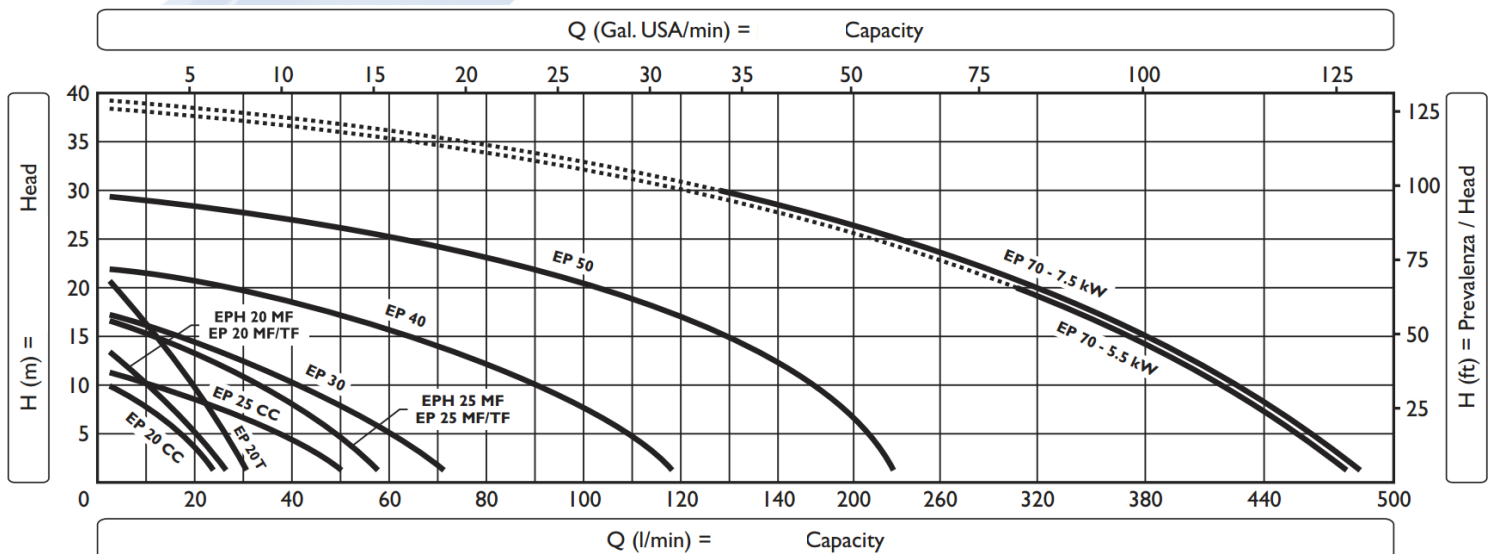
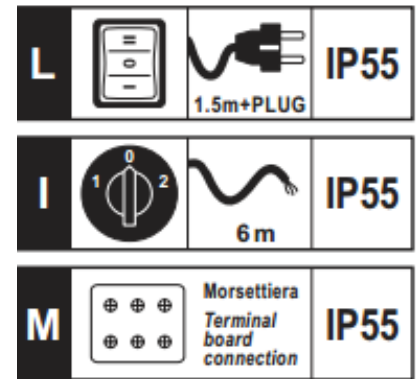
T-T PUMPS[®]

Features

- Bronze Construction
- Self-priming
- Reversible operation
- Excellent priming action
- 12 & 24 volt available for vehicle use
- Automatic as standard but can be converted to manual upon request
- Available with heavy-duty carry frame

Applications

- Water transfer
- Fuel oil transfer
- Emptying of bund enclosures
- Decanting
- Barrel filling



T-T PUMPS Ltd, Woore, Cheshire, CW3 9RU
 Tel: **01630 647200** Fax: **01630 642100**
 www.ttpumps.com email: response@ttpumps.com

T-T PUMPS[®] **T-T Pumping Stations**[®] **T-T Controls**[®] **T-T Service**[®] **T-T Agricultural & Environmental**[®] **T-T Flow Valves**[®]

Type	Code	Weight	Handle	Motor *				Rpm	H (m) =						Head - Q (l/min) =				Capacity	
				Typo / Type	Volt	HP	kW		0	5	10	12	15	18	22	30	40	H		
EPH 20	51202000H	5,5 kg	●	L	MF	230V	0,3	0,22	2800	29	20	10	6	0						
EPH 25	51202500H	9,2 kg	●	L	MF	230V	0,6	0,45	2800	60	50	25	15	8	0					
EP 20 T	51402000T	5,7 kg	●	M	CC	12V / 26A	0,45	0,33	3000	32	27	18	15	11	5	0				
	51412000T	5,6 kg	●	M	CC	24V / 14A	0,45	0,33	3000	32	27	18	15	11	5	0				
EP 20	51402000	5,7 kg	●	M	CC	12V / 26A	0,45	0,33	2000	25	18	0								
	51412000	5,6 kg	●	M	CC	24V / 14A	0,45	0,33	2000	25	18	0								
	51202000	6,3 kg	●	I	MF	230V	0,3	0,22	2800	29	20	10	6	0						
EP 25	51302000	6,3 kg	●	I	TF	230-400V	0,35	0,26	2800	29	20	10	6	0						
	51302001	5,9 kg	●	M																
	51402500	9,2 kg	●	M	CC	12V / 38A	0,6	0,45	2000	53	37	10	0							
EP 25	51412500	9,3 kg	●	M	CC	24V / 22A	0,6	0,45	2000	53	37	10	0							
	51202500	9,8 kg	X	I	MF	230V	0,6	0,45	2800	60	50	25	15	8	0					
	51302500	9,8 kg	X	I	TF	230-400V	0,75	0,56	2800	60	50	25	15	8	0					
51302501	8,9 kg	X	M																	
EP 30	51413000	13,5 kg	●	M	CC	24V / 28A	0,8	0,60	1400	75	60	40	30	15	0					
	51203000	13,2 kg	X	I	MF	230V	1	0,75	1400	75	60	40	30	15	0					
	51303000	13,2 kg	X	I	TF	230-400V	1	0,75	1400	75	60	40	30	15	0					
	51303001	12,5 kg	X	M																
EP 40	51414000	19,8 kg	●	M	CC	24V / 45A	1,5	1,12	1400	120	110	85	80	55	45	0				
	51204000	16,2 kg	X	I	MF	230V	1	0,75	1400	120	110	85	80	55	45	0				
	51204100	17,7 kg	X	I	MF	230V	1,5	1,12	1400	120	110	85	80	55	45	0				
	51304000	15,7 kg	X	I	TF	230-400V	1	0,75	1400	120	110	85	80	55	45	0				
	51304100	17,7 kg	X	I	TF	230-400V	1,5	1,12	1400	120	110	85	80	55	45	0				
	51304101	17,0 kg	X	M																
EP 50	51415000	35,5 kg	n.d.	M	CC	24V / 95A	2	1,5	1400	230	210	175	155	140	125	85	0			
	51205100	27,5 kg	n.d.	I	MF	230V	2,5	1,86	1400	230	210	175	155	140	125	85	0			
	51305100	26,5 kg	n.d.	I	TF	230-400V	2,5	1,86	1400	230	210	175	155	140	125	85	0			
	51305101	26,0 kg	n.d.	M																
EP 70	51377001	75,0 kg	n.d.	M	TF	230-400V	7,5	5,5	1400	500	460	415	400	370	330	280	165	0		
	51377101	87,0 kg	n.d.	M	TF	230-400V	10	7,5	1400	500	460	415	400	370	330	280	165	0		

● = Pumps with handle included

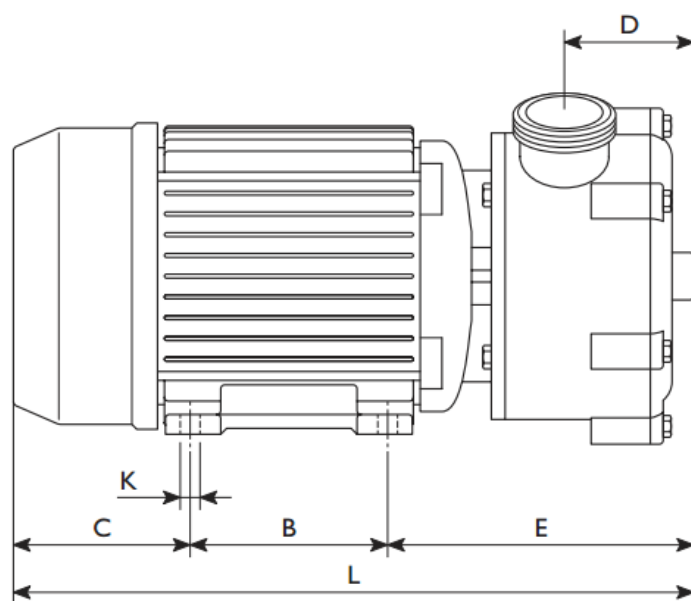
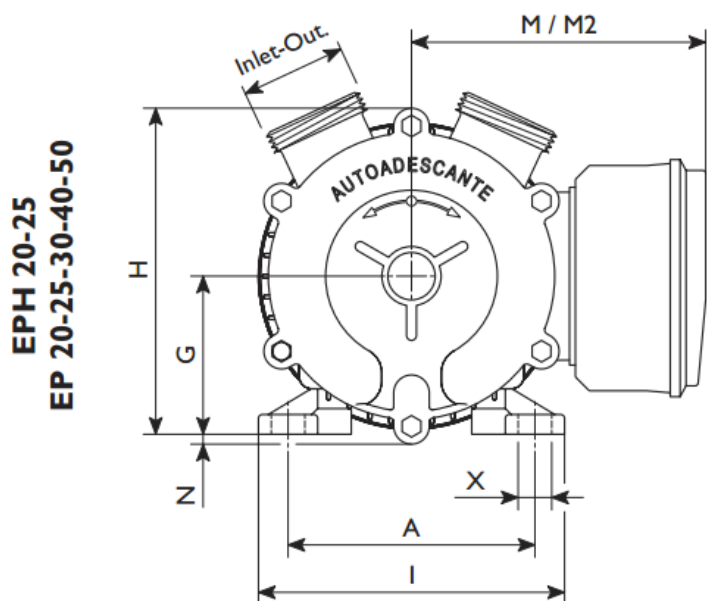
I / X = Available on request

/ n.d. = Not available

* MF = Single Phase

- TF = Three Phase

- CC = Direct Current

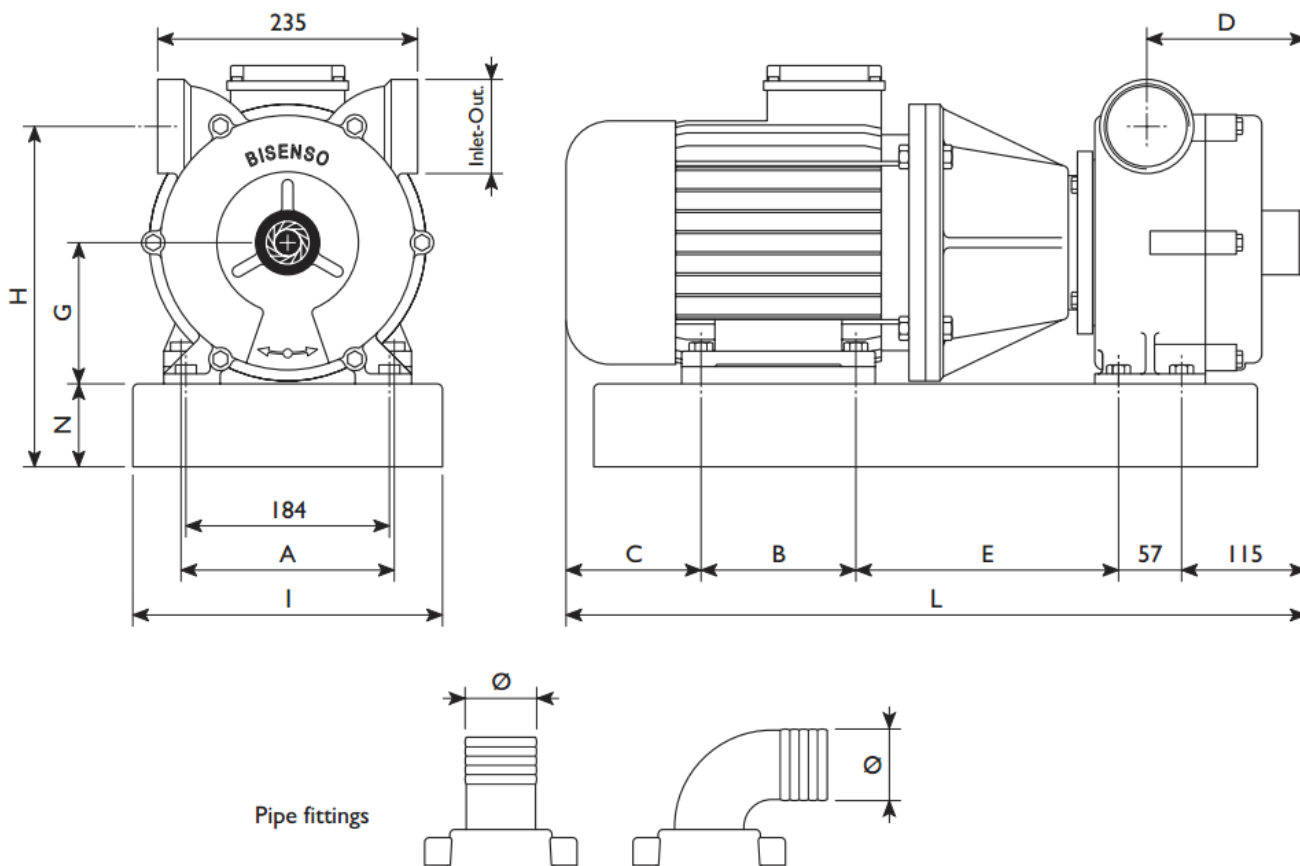


T-T PUMPS Ltd, Woore, Cheshire, CW3 9RU

Tel: 01630 647200 Fax: 01630 642100

www.ttpumps.com email: response@ttpumps.com

EP 70



Pipe fittings

Type	Inlet-Outlet	Pipe fittings	Motor	Dimensions (mm)													
				A	B	C	D	E	G	H	I	K	L	M *	M2 *	N	X
EPH 20	BSP-M 3/4"	Ø20	MF	90	70	70	35	110	56	100	110	7	250	115	105	-	10
EPH 25	BSP-M 1"	Ø25	MF	112	90	78	40	127	71	124	136	7	295	-	105	-	12
EP 20	BSP-M 3/4"	Ø20	CC	100	80	100	35	115	63	106	120	7	295	-	105	-	12
			MF/TF	90	70	70	35	110	56	100	110	7	250	135	105	-	10
EP 25	BSP-M 1"	Ø25	CC	112	90	103	40	127	71	124	130	8	320	-	110	-	12
			MF/TF	112	90	88	40	127	71	124	136	8	305	145	110	-	12
EP 30	BSP-M 1" 1/4	Ø30 - Ø35	CC	125	100	135	50	140	80	165	160	8	375	-	125	5	16
			MF/TF	125	100	90	50	140	80	165	155	10	330	155	125	5	17.5
EP 40	BSP-M 1" 1/2	Ø40 - Ø45	CC	140	125	185	67	180	90	175	175	10	490	-	130	-	17.5
			MF/TF	125	100	90	67	162	80	165	155	10	352	155	125	5	17.5
EP 50	BSP-M 2"	Ø50	CC	140	125	137	90	180	90	194	175	10	442	-	-	14	17.5
			MF/TF	140	125	100	90	210	90	194	175	10	435	160	130	14	17.5
EP 70	BSP-F 2" 1/2	n.d.	TF 5.5 kW	190	140	148	144	245	128	306	280	11	705	-	-	75	18
			TF 7.5 kW	216	178	155	144	280	156	334	280	11	785	-	-	75	18

n.d. = Pipe fittings not available

M * = On-off reverse switch-capacitor box

- M2 * = Terminal board connection